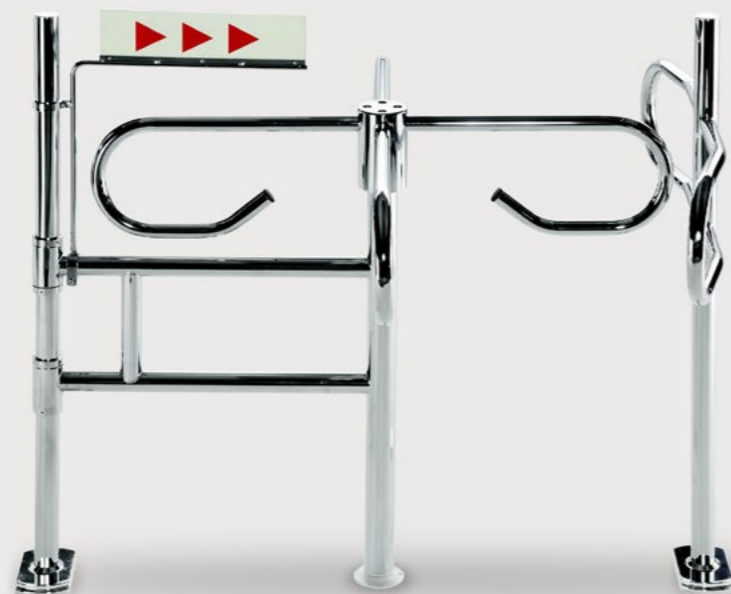


# TURNSTILE

UNI-DIRECTIONAL MECHANICAL GATE



## Application areas

- ◆ OFFICES
- ◆ RECEPTION AREAS
- ◆ GYMS
- ◆ MUSEUMS
- ◆ SPORTS FACILITIES
- ◆ POOLS

## DESCRIPTION

You can't change a winning team, an evergreen, safe, effective and economical product. It is based on the unidirectional rotation of the 4 arms which allow the passage of a single user in one direction only. Effective is made entirely of chromed or varnished steel. On request it can be completed with the trolley passage device, available in different sizes. Installation is easy and intuitive without the need for electrical or building preparations. The basic kit consists of the frame, the head with one-way rotation.

## COLORS & CUSTOMIZATIONS



CHROMED STEEL



ANY RAL COLOUR

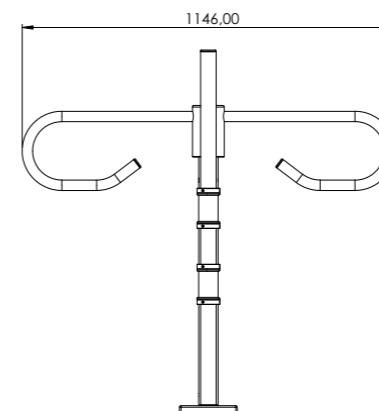
## FEATURES

Drive	Uni-directional mechanics
Weight	15 kg
IP degree	IP 21
Standard	In according to CE Certification

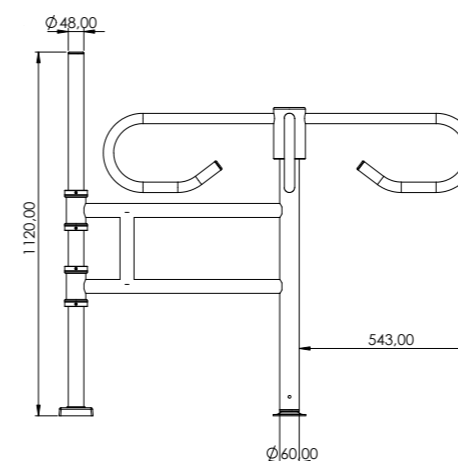
## MATERIALS

Frame, head and arms	chromed or painted steel
Uprights and bars	chromed or painted steel
Mechanism	galvanized steel
Signage table	plastic with acrylic print

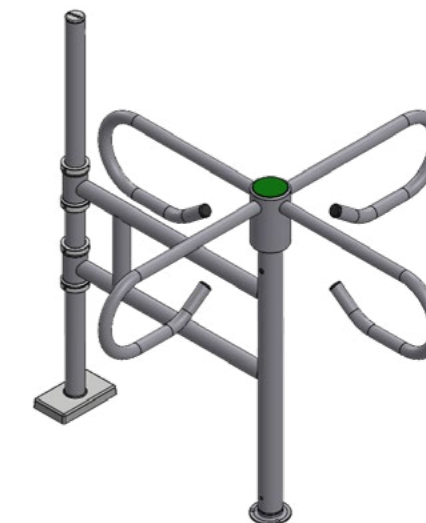
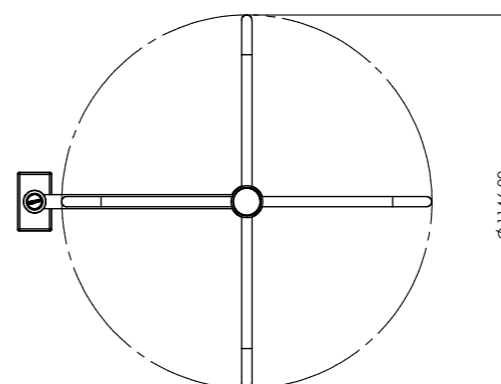
## SIZES - LATERAL VIEW



## SIZES - FRONT VIEW



## SIZES - TOP VIEW



## ACCESSORIES

Passage for trolley - 4, 6 or 8 flap

Passager for trolley with anti-panic sistem

Uni-directional way with flap

Upright extension

Guide arch

## SECURITY SYSTEMS

**PASSAGE OF ANTI-PANIC TROLLEYS:** This system allows the bar to be released by pushing the passing trolleys and allows it to be rotated on the support upright in order to leave the passage free or for an emergency situation or for the passage of pallet , this system are bi-directional.

**TURNSTILE'S CROSS SAFETY DEVICE:** In the event that a user is inside the walker and there is an emergency situation, there is the possibility by making a push of about 100NM, in the opposite direction to the rotation of the walker, to activate the system security and allow the user to emergency exit.

**TURNSTILE ANTI-PANIC DEVICE:** In addition to the cross , the turnstile also has a safety system, it is possible to force the release of the fixing plate to the ground, allowing it to be rotated in both directions. This system can be used as an anti-panic system or as a system to allow pallets to enter the POS.

**ANTI-PANIC:** It is possible to force both the cross and also the turstile to activate the antipanic systems. In case of release of the turnstile from the fixing system to the ground, it must be repositioned manually. While for Cross, the system must be rotated 90° in the opening direction to rearm the anti-panic.